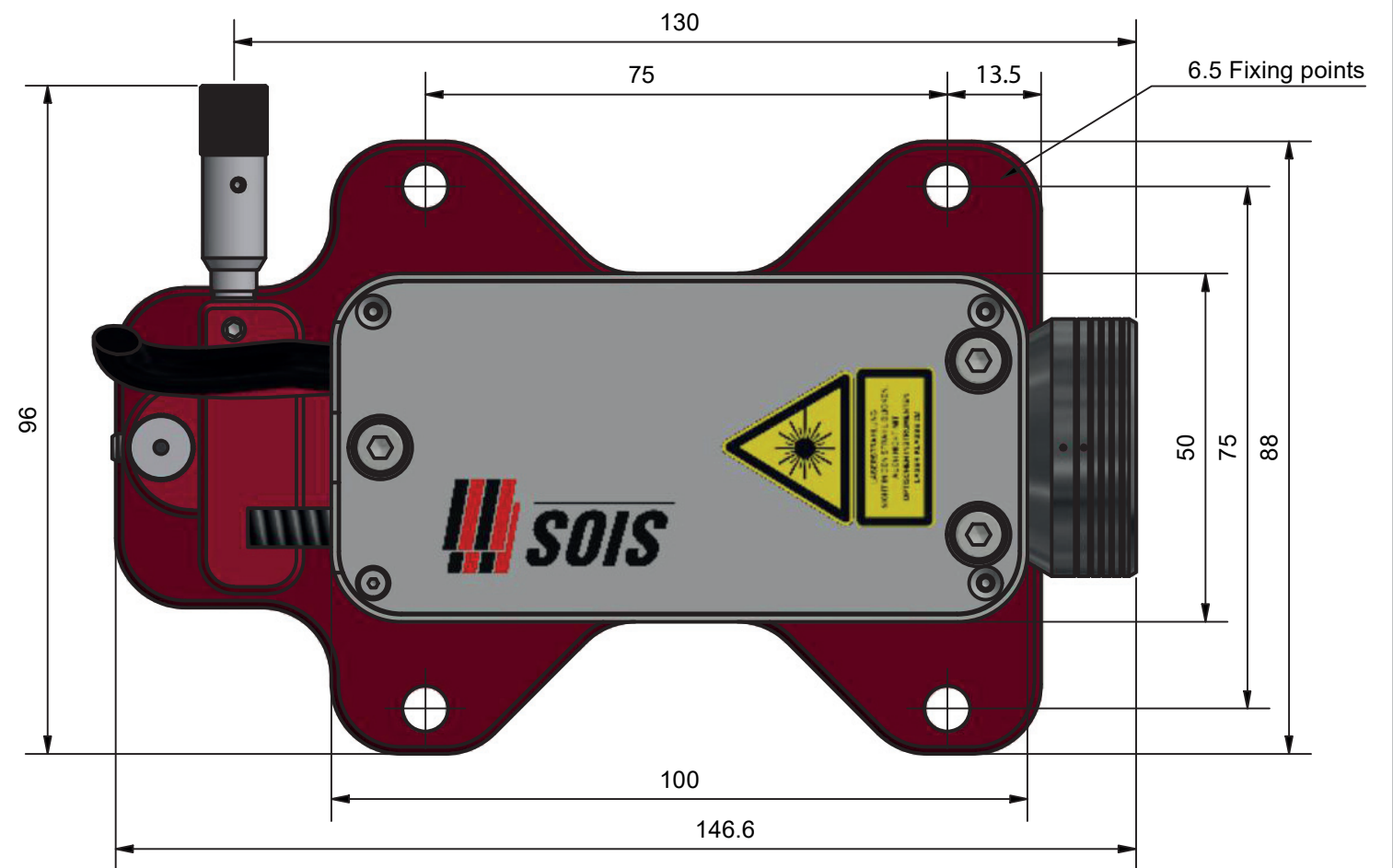
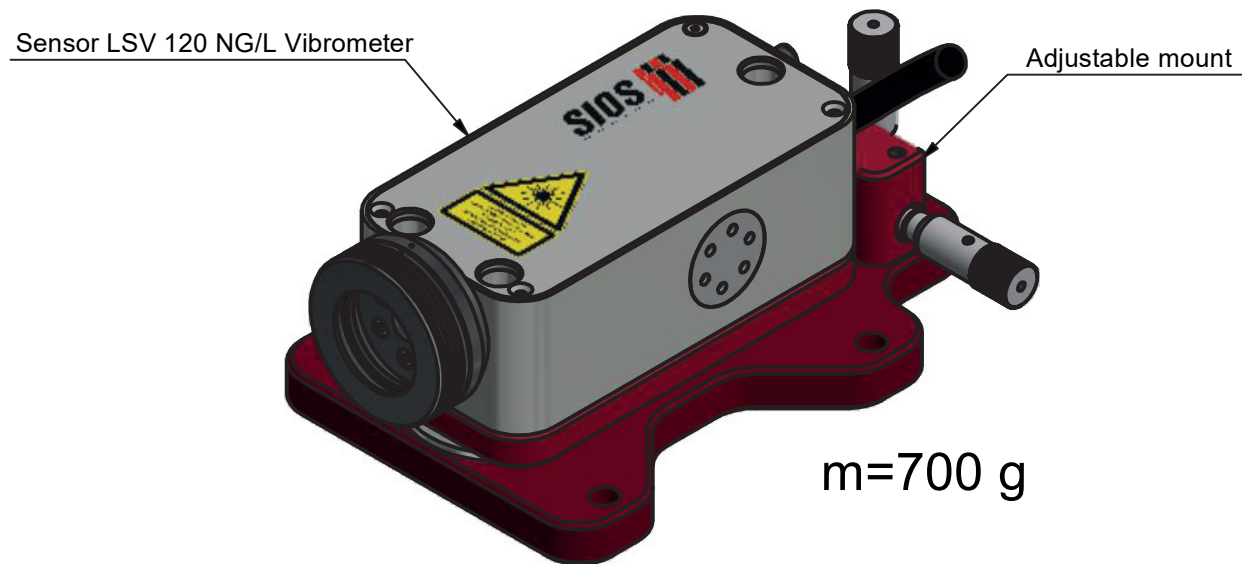
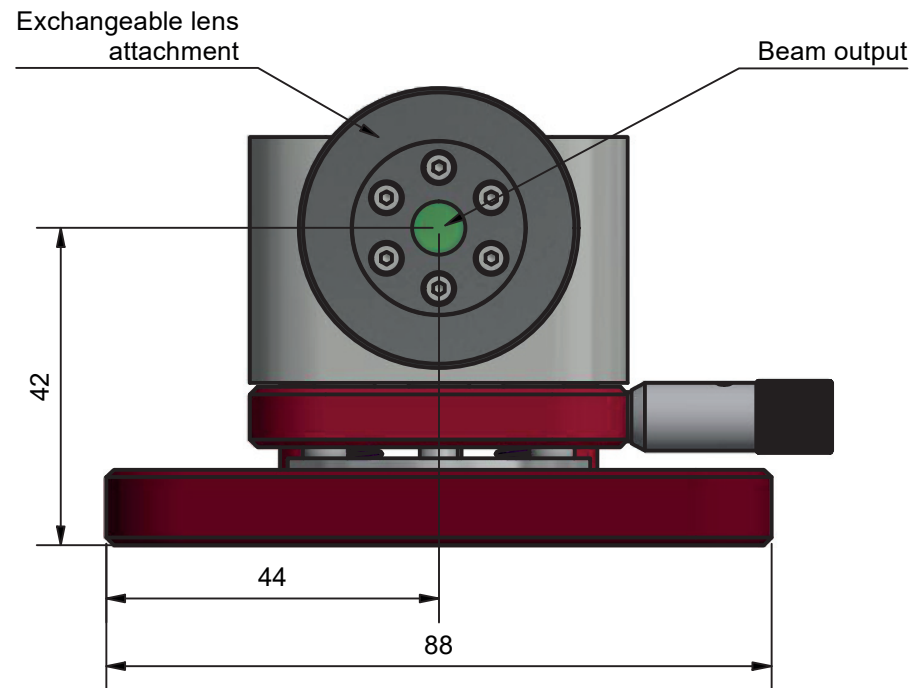


LSV 120 NG/L (A037448)

with adjustable mount & exchangeable lens attachment



all dimensions in mm

SIOS Meßtechnik GmbH

Am Vogelherd 46 • 98693 Ilmenau/Germany • phone: +49 (0) 3677 64 47-0 • e-mail: contact@sios.de • www.sios-precision.com

SIOS
Meßtechnik GmbH