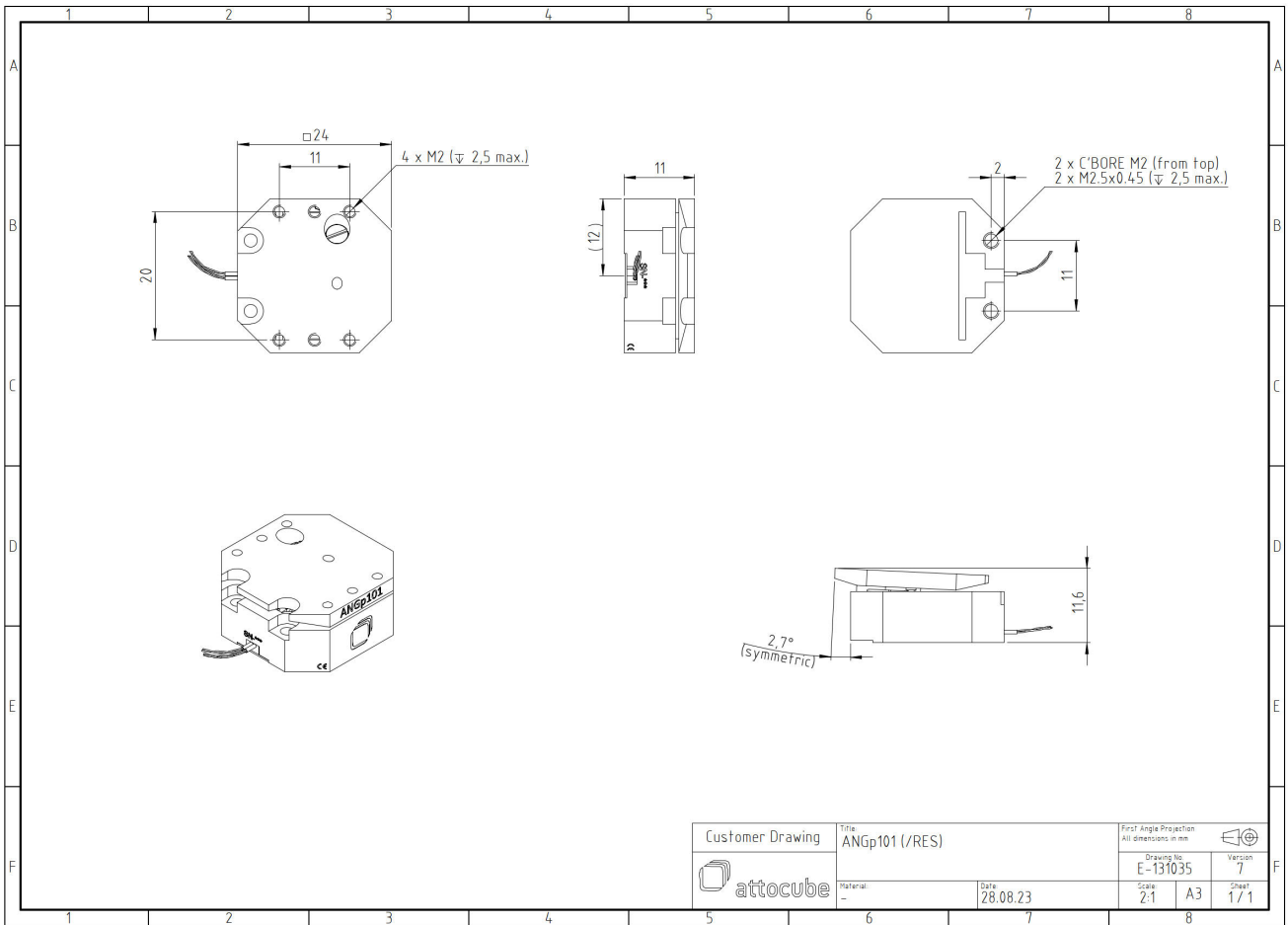


# ANGp101/RES/LT/HV - goniometer for "phi" tilting

1002801

## Technical Specifications

<b>Size and Dimensions</b>	
footprint; height	24 mm x 24 mm; 11 mm
distance center of rotation to top	51 mm
weight	18 g
height	11 mm
<b>Materials</b>	
positioner body	titanium
actuator	PZT ceramics
connecting wires	insulated twisted pair, copper
<b>Coarse Positioning Mode</b>	
travel range (step mode)	5.4 °
maximum drive velocity @ 300 K	~ 1 °/s
input voltage range	0 - 60 V
<b>Fine Positioning Mode</b>	
fine positioning resolution	no fine positioning capability
<b>Position Encoder</b>	
readout mechanism	resistive sensor
encoded travel range	full travel
sensor resolution	0.1 m°
sensor power (when measuring)	0.01 - 1 mW
repeatability	2 m°
<b>Load (@ ambient conditions)</b>	
maximum load	100 g
maximum dynamic force along the axis	2 N
<b>General Specifications</b>	
environment	/LT/HV



Customer Drawing	Title: ANGp101 (/RES)		First Angle Projection All dimensions in mm	
	Material: -		Drawing No: E-131035	Version: 7
attocube		Date: 28.08.23	Scale: 2:1	Sheet: A3 1 / 1