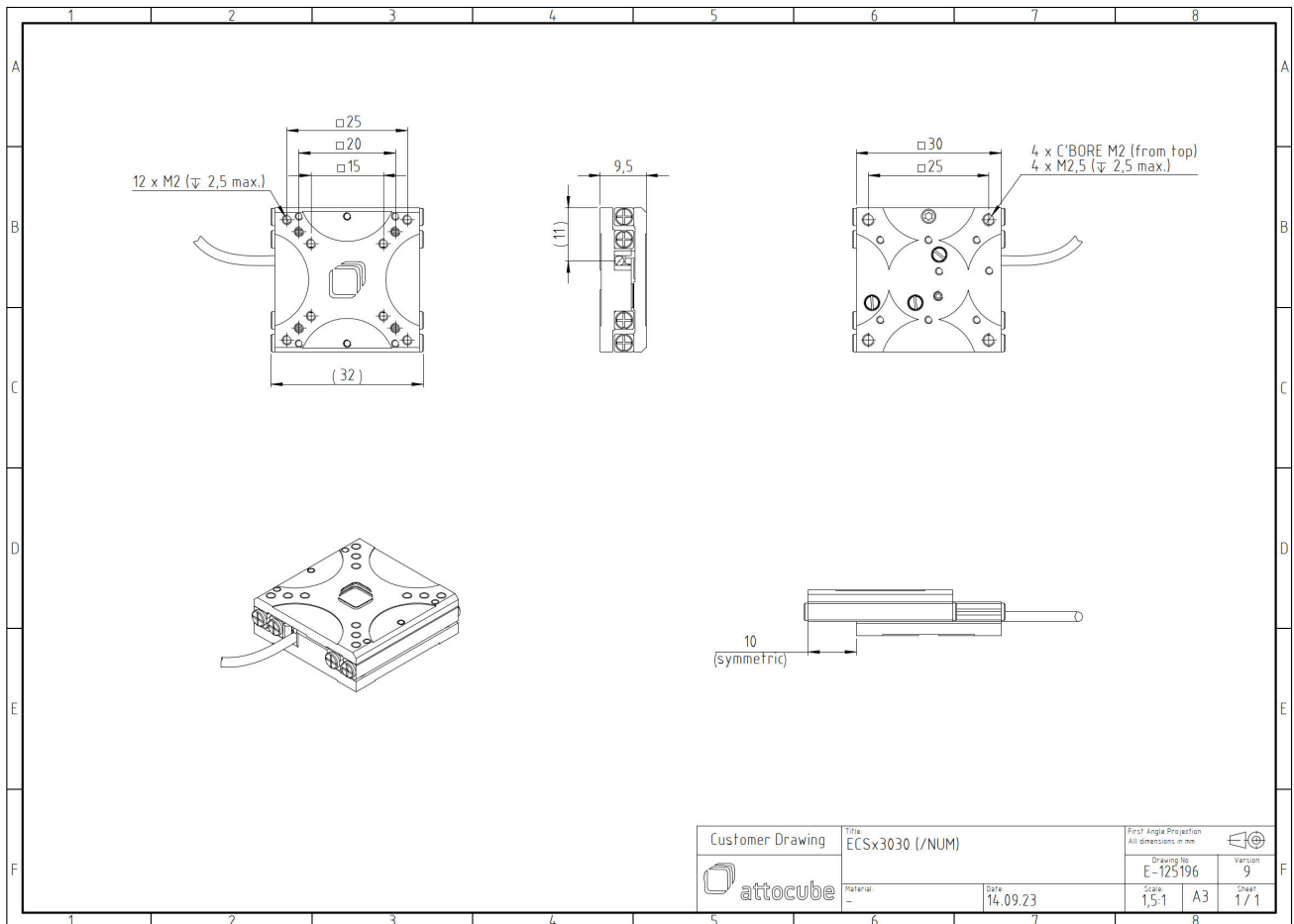


# ECSx3030/AI/RT

1005651

## Technical Specifications

<b>Size and Dimensions</b>	
footprint; height	30 mm x 30 mm; 9.5 mm
maximum installation space	30 mm x 51.6 mm; 9.5 mm
weight (aluminium version)	29 g
height	9.5 mm
<b>Materials</b>	
positioner body	aluminum
positioner body (/HV, /UHV)	stainless steel
actuator	PZT ceramics
connecting wires	copper, jacket: RT: PTFE, HV/UHV: fiberglass
<b>Coarse Positioning Mode</b>	
travel range (step mode)	20 mm
maximum drive velocity @ 300 K	4.5 mm/s
input voltage range	0 - 45 V
<b>Fine Positioning Mode</b>	
fine linear positioning range @ 300 K	1.6 $\mu$ m
fine positioning resolution	sub-nm
input DC voltage range	0 - 45 V
<b>Load (@ ambient conditions)</b>	
maximum load	1 kg
maximum dynamic force along the axis	1 N
<b>General Specifications</b>	
environment	/RT



Customer Drawing 	Title ECSx3030 (/NUM)	First Angle Projection All dimensions in mm
	Material -	Date 14.09.23
Drawing No. E-125196		Version 9
Scale 1,5:1		A3 Sheet 1/1