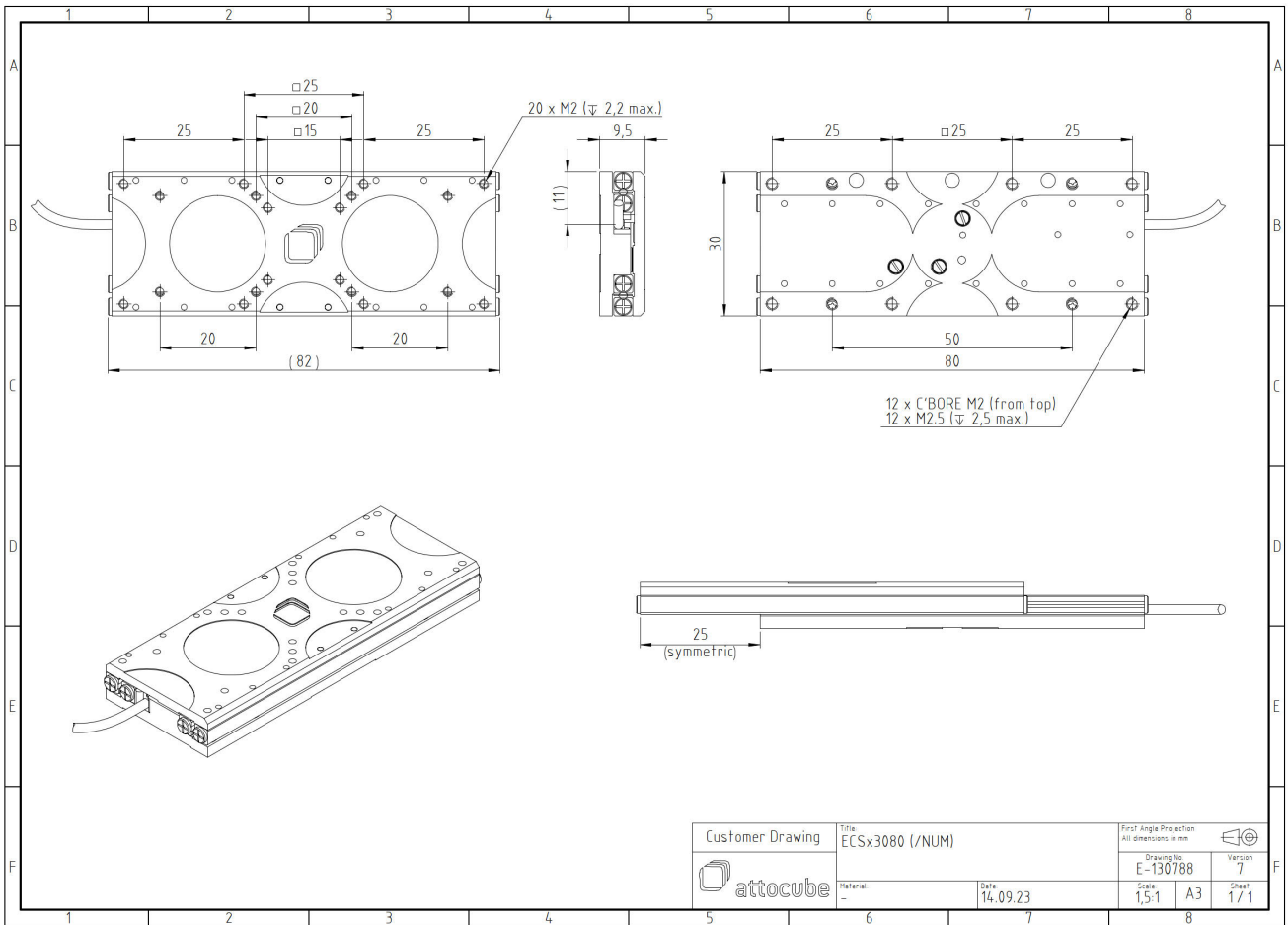



ECSx3080/StSt/NUM+/UHV

1011445

Technical Specifications

Size and Dimensions	
footprint; height	30 mm x 80 mm; 9.5 mm
maximum installation space	30 mm x 131.6 mm; 9.5 mm
weight (stainless steel version)	147 g
height	9.5 mm
Materials	
positioner body	stainless steel
actuator	PZT ceramics
connecting wires	copper, jacket: RT: PTFE, HV/UHV: fiberglass
Coarse Positioning Mode	
travel range (step mode)	50 mm
maximum drive velocity @ 300 K	4.5 mm/s
input voltage range	0 - 45 V
Fine Positioning Mode	
fine linear positioning range @ 300 K	1.6 μ m
fine positioning resolution	sub-nm
input DC voltage range	0 - 45 V
Position Encoder	
readout mechanism	optoelectronic sensor
encoded travel range	entire travel
sensor resolution	1 nm
sensor power (when measuring)	50 mW
repeatability	50 nm (bidirectional)
Load (@ ambient conditions)	
maximum load	2 kg
maximum dynamic force along the axis	1 N
General Specifications	
environment	ultra-high vacuum



Customer Drawing	Title	ECSx3080 (/NUM)		First Angle Projection All dimensions in mm	
	Material	Date	14.09.23	Drawing No.	Version
				E-130788	7
				Scale	Sheet
				1,5:1	A3 1 / 1