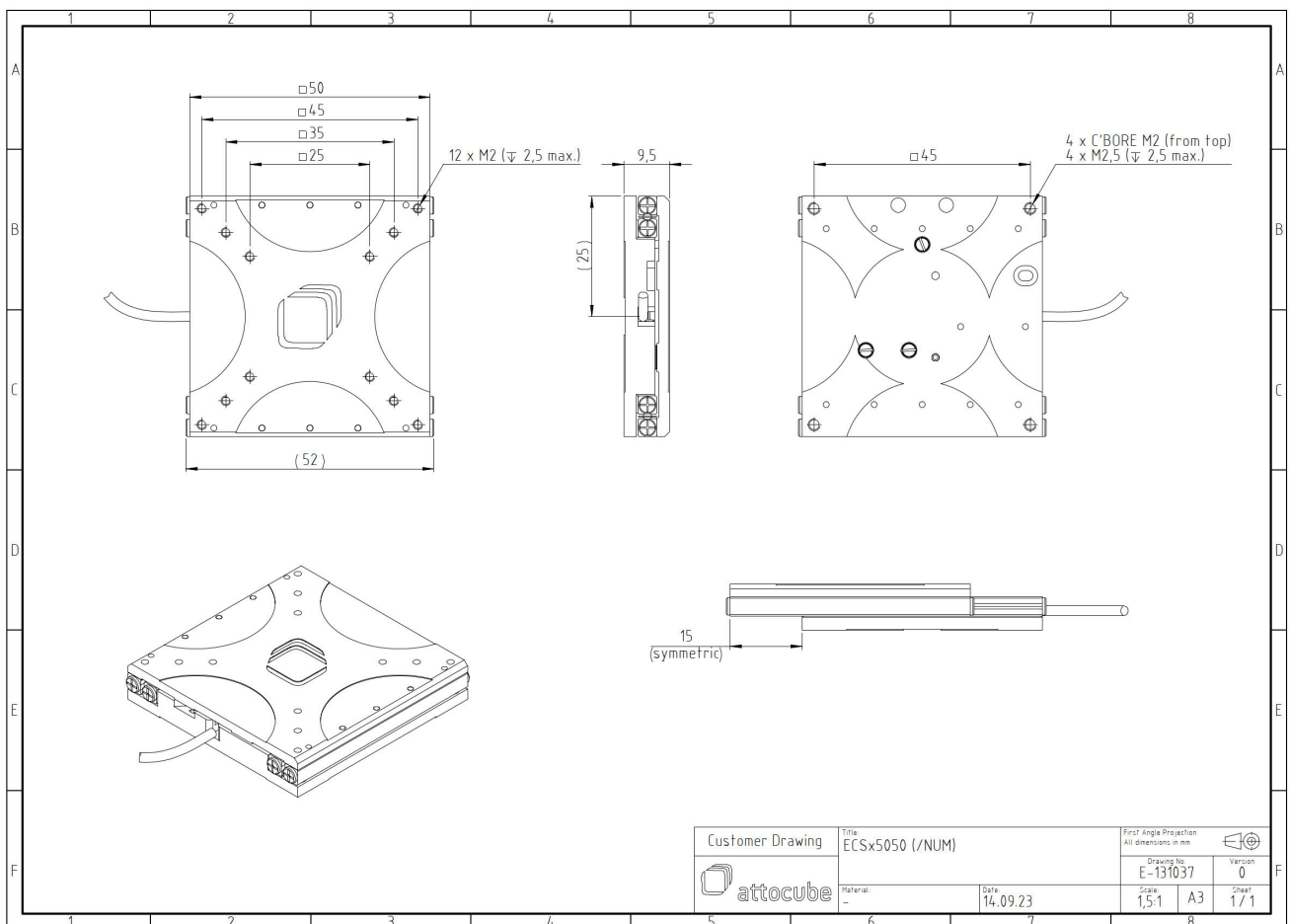


# ECSx5050/AI/HL/RT

1008840

## Technical Specifications

<b>Size and Dimensions</b>	
footprint; height	50 mm x 50 mm; 9.5 mm
maximum installation space	50 mm x 81.6 mm; 9.5 mm
weight (aluminium version)	70 g
height	9.5 mm
<b>Materials</b>	
positioner body	aluminum
actuator	PZT ceramics
connecting wires	copper, jacket: RT: PTFE, HV/UHV: fiberglass
<b>Coarse Positioning Mode</b>	
travel range (step mode)	30 mm
maximum drive velocity @ 300 K	4.5 mm/s
input voltage range	0 - 45 V
<b>Fine Positioning Mode</b>	
fine linear positioning range @ 300 K	1.6 $\mu$ m
fine positioning resolution	sub-nm
input DC voltage range	0 - 45 V
<b>Load (@ ambient conditions)</b>	
maximum load	2 kg
maximum dynamic force along the axis	5 N
<b>General Specifications</b>	
environment	/RT



Customer Drawing	Title: ECSx5050 (/NUM)	First Angle Projection All dimensions in mm
	Material: -	Drawing No. E-131037
Date: 14.09.23	Scale: 1,5:1	Version: 0
	Sheet: 1/1	